



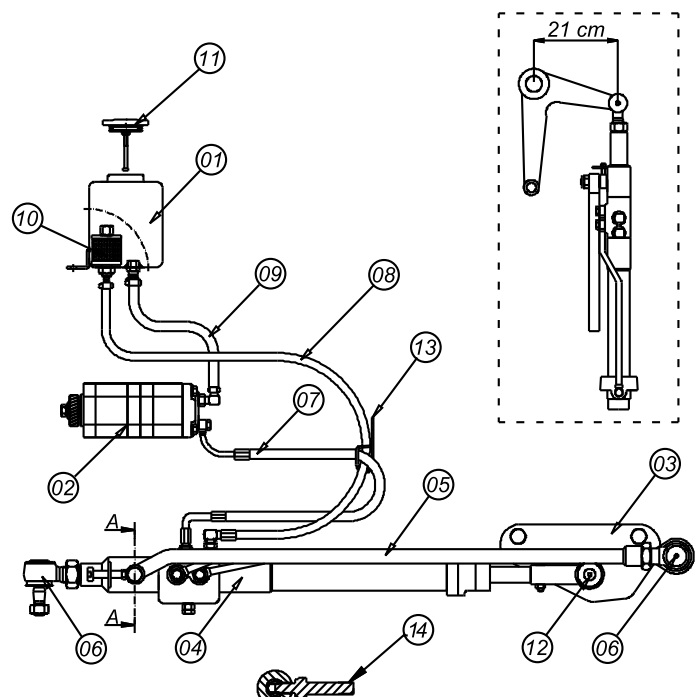
54176

SERVICE BULLETIN

Hydraulic Steering Conversion Kits with By-Pass System and Security Valve for 6206 Deutz Tractors Assembling Instruction

1. The hydraulic oil pump will be assembled opposite of diesel oil pump.
2. The oil reservoir will be attached to the cylinder head front right bolt.
3. The lift assembly bracket should be fitted to the engine body.
4. The lift valve and piston should be assembled.
5. A hose 5/8 R6 should be assembled from reservoir to oil pump.
6. Return hose 3/8 R6 from lift to reservoir.
7. Pressure hose from oil pump to lift 5/16R1.
8. While installing the long rod on to the lift command arm be sure that installing should slightly not be forced otherwise the steering dose not work properly.
9. M8 bolts in valve shafts will be tightened to the canal from the center.
10. Use special sae 10 or 20 oil (1L), start engine, check oil level and add more if necessary.
11. Hydraulic pressure valve.

Note: Check fastening bolts and hoses after 1 week.





TRACTOR ASSEMBLY INSTRUCTIONS

